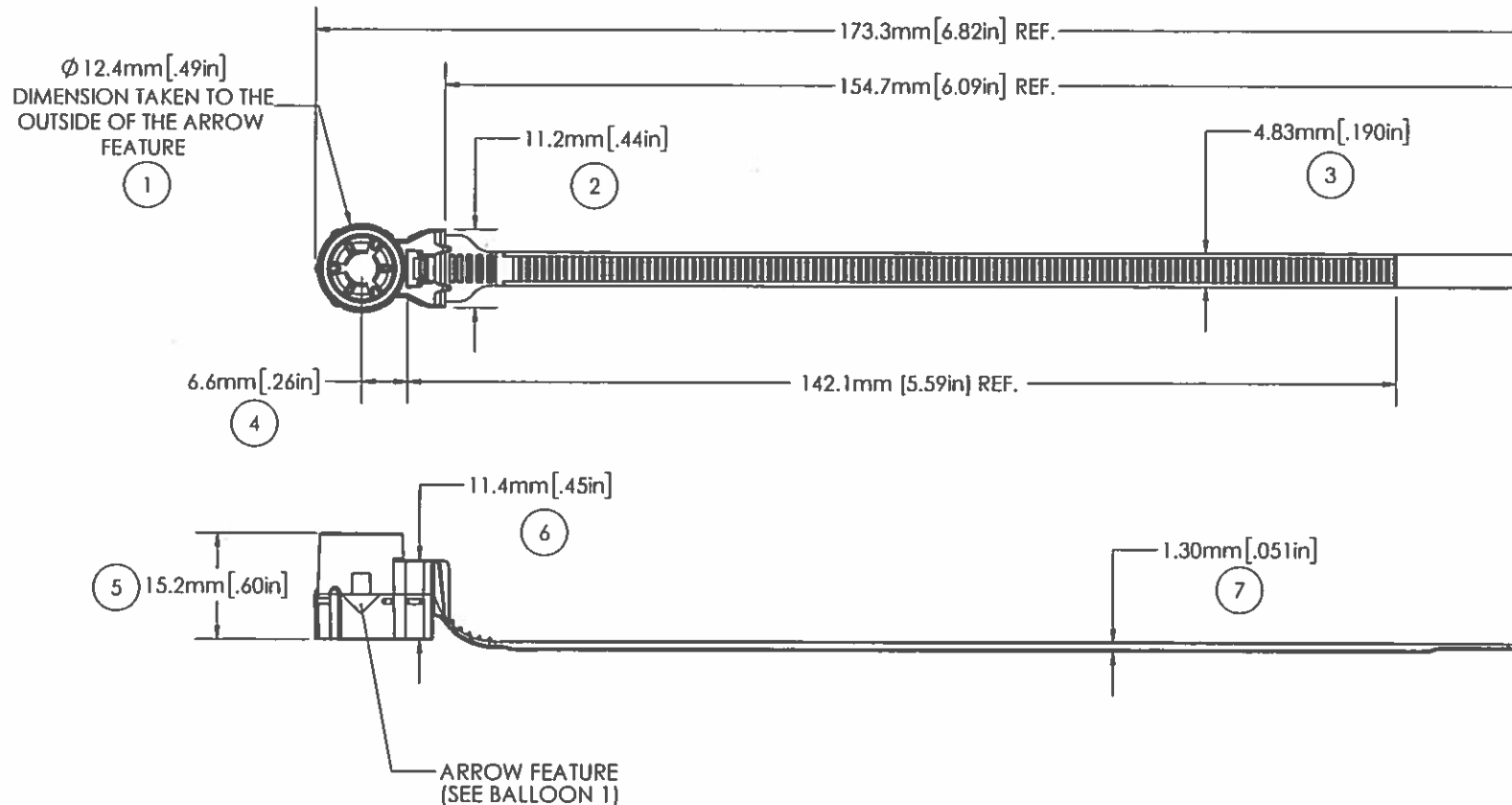


# AVERY DENNISON MARKETING SPECIFICATION

## HISTORY

REV.	DATE	DESCRIPTION
A	3.17.17	RELEASED

THE SUBJECT MATTER DISCLOSED HEREIN EMBODIES PROPRIETARY INFORMATION WHICH IS THE CONFIDENTIAL PROPERTY OF THE AVERY DENNISON CO. NONE OF WHICH SHALL BE COPIED, REPRODUCED, DISCLOSED TO OTHERS, PUBLISHED OR USED IN WHOLE OR IN PART FOR ANY PURPOSE OTHER THAN THAT FOR WHICH IT IS BEING MADE AVAILABLE WITHOUT THE EXPRESS ADVANCE WRITTEN PERMISSION OF A DULY AUTHORIZED AGENT OF THE COMPANY. THIS DOCUMENT IS THE PROPERTY OF THE AVERY DENNISON CO. AND IS TO BE RETURNED TO THE COMPANY ON DEMAND.



8	△	FLAMMABILITY:	HB RATED PER FMVSS302
9	△	TENSILE STRENGTH:	50 LBF / 222N MIN.
		MOUNTING:	M5 AND M6 WELD STUDS
		WEIGHT:	2.2 GRAMS
		TEMPERATURE RANGE:	-40°F (-40°C) TO 239°F (115°C) CONTINUOUS AND 257°F (125°C) AT MAXIMUM EXPOSURE
		BUNDLE DIAMETER:	Ø 1.6mm TO Ø 38.1mm
		TOOL:	12001- HAND INSTALLATION TOOL 12500- PNUM. INSTALLATION TOOL
		TOOL TENSION SETTING:	6 - 8
		PACKAGING:	1000/BAG, 5 BAGS/MASTER

△ = INDICATE SPECIAL CHARACTERISTICS

APPROVALS:	ENG. APPR.	<i>[Signature]</i>	3/17/17
	Q.A. APPR.	<i>[Signature]</i>	3/17/17

SPECIFIED TOLERANCES ARE:	
.XX ± .03 INCHES	.X ± .7 mm
.XXX ± .010 INCHES	.XX ± .25 mm
ANGULAR: ± 2°	

MATERIAL	NYLON 6/6, HEAT STABILIZED
COLOR	BLACK

<b>AVERY DENNISON</b> <small>FASTENER DIVISION FITCHBURG, MA 01420 U.S.A. TEL. 1-800-225-5913 FAX. 978-353-8157</small>	DESCRIPTION	M6 COMPACT WELD STUD TIE
	STOCK NO.	20176-0
	REV.	A